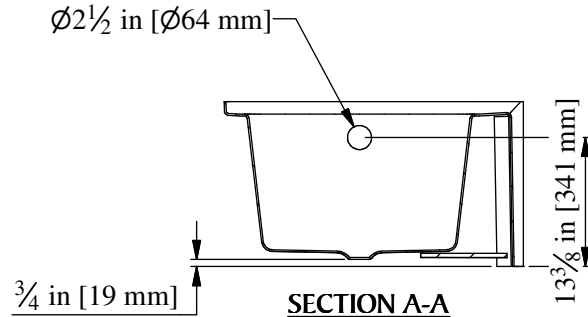
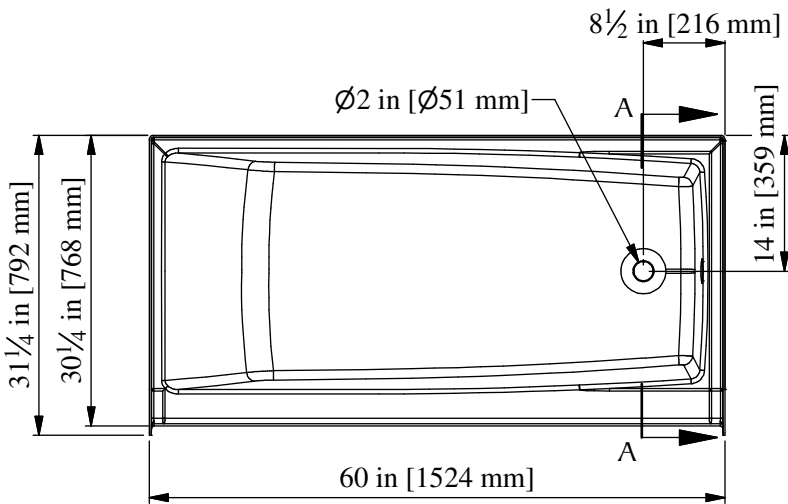


**ELEVATION**



**SECTION A-A**



**PLAN**

**60" [1524mm] Bathtub  
w/ 16" [406mm] Threshold**

*Right Hand Version (463 1R) Shown*

**PRODUCT SPECIFICATIONS:**

- Product complies with NAHB, HUD UM-73A, and ANSI-Z124.1.2.
- Reinforced & slip resistant floor.
- Integral 1" [25mm] nailing flange.
- Factory drilled 2-1/2" overflow.
- Bathwell Dimensions (At Top): W-55 3/4" [1416mm]  
D-24 1/2" [622mm]  
H-14" [356mm]
- Bathwell Dimensions (At Bottom): W-46-1/2" [1181mm]  
D-22 1/2" [572m]
- Bathwell Capacity (At Overflow): 48 gal. [182L]
- Water Level (At Overflow): 10 1/2" [267mm]
- Available without an overflow model becomes number(463 1LM or 463 1RM)
- All dimensions +/- 1/2" [12.8mm]
- Clarion Bathware reserves the right to change design and/or dimensions.
- Dimensions are the same for all other versions of this model.
- AcrylX™ applied acrylic surface

## 463 1L or 463 1R

6030SMIN - 60" Bathtub w/ 16" Apron & Let or Right Hand Drain

**Clarion**  
BATHWARE  
44 Amsler Ave.  
Shippenville, PA 16254

Phone: (814) 226-5374  
Toll Free: (800) 576-9228  
Fax: (814) 226-0730  
www.clarionbathware.com

Signatures For Approval:

Customer: \_\_\_\_\_  
Arch./Engr: \_\_\_\_\_

Date: \_\_\_\_\_

DWG. #  
RE463 1L or R -CUT

Quote #: \_\_\_\_\_  
Job Name: \_\_\_\_\_

By: NMH  
Date: 2/4/2021